

# MODEL: C85

**DISPLAY AERATOR CONTROL WITH TIME SWITCH, GFCB,  
LIGHTNING ARRESTOR AND 15 AMP GFCI LIGHTING RECEPTACLE  
SUITABLE FOR USE WITH SUBMERSIBLE LIGHTS**

**IN RAINPROOF (TYPE 3R) ENCLOSURE SUITABLE FOR INDOOR OR OUTDOOR USE  
40 AMP. MAX PER LEG 120/240 VOLT SINGLE PHASE (THREE WIRE) AC  
PUMP CIRCUIT: 3 hp max, 240 Vac, LIGHT CIRCUIT: 120 Vac - 15 amp Max.  
MIN 75° C SUPPLY CONDUCTORS**

**PHOTO CONTROL RATINGS: 120 VAC 50/60 HZ. 1800W TUNGSTEN, 8.3A BALLAST  
LIGHTNING ARRESTOR RATINGS: 120/240 VAC; MCOV 250 VAC**

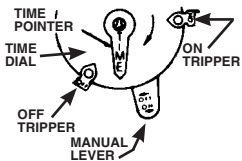
*Note: The short circuit current rating of this panel is 10,000 symmetrical amperes.*



**IMPORTANT:** This control panel must be installed according to the National Electrical Code (including article 680) and local code requirements. The main lugs and neutral main are suitable for No. 14 to 2 AWG **COPPER** conductors. Follow gauge selection table and corresponding terminal screw tightening torque requirements below. An additional branch circuit protector (20 Amp max) may be installed in the unused position for use as an auxiliary circuit. Use only Square D HOM Series circuit breakers for addition or replacement (do not exceed ratings on wiring diagram). Follow Manufacturers instructions for testing of ground fault circuit breakers (GFCB). This panel is equipped with a 120V AC - 15 amp duplex GFCI receptacle for connecting a 120V AC light kit or an external low voltage transformer for lighting. The receptacle power is controlled by the timer-photoelectric circuit. Refer to the instructions provided with your light kit. After wiring, install front panel over wiring compartment.  
**KEEP DOOR CLOSED AT ALL TIMES.**

Wiring information-Copper Conductors	
Wire Size	Terminal Tightening Torque
AWG	Lb-In
14	20
12	20
10	20
8	25
6	35
4	45
3	50
2	50

## TIME SWITCH OPERATING INSTRUCTIONS



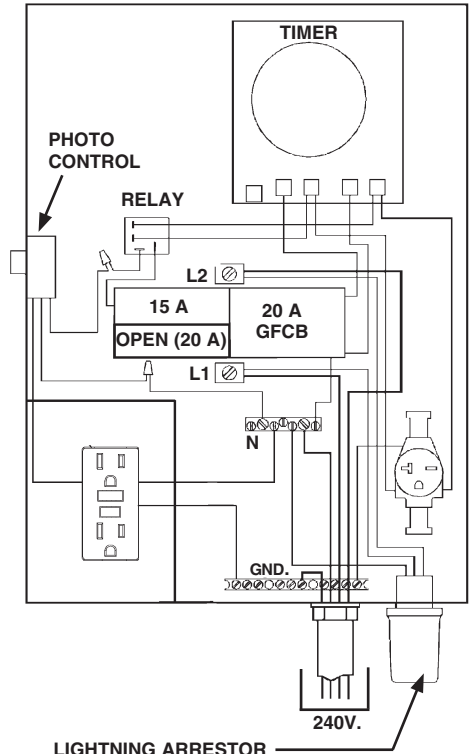
### 1. TO SET "ON" AND "OFF" TIMES:

Hold TRIPPERS against edge of CLOCK-DIAL, pointing to time (AM or PM) when **ON** and **OFF** operations are desired. Tighten tripper screws firmly.

### 2. TO SET TIME-OF-DAY:

Pull CLOCK-DIAL outward. Turn in either direction and align the exact time-of-day on the CLOCK-DIAL (the time now, when switch is being put into operation) to the pointer.  
-DO NOT MOVE POINTER-

- **TO OPERATE SWITCH MANUALLY:** Move MANUAL-LEVER below left or right as indicated by arrows. This will not affect the next operation.
- **FOR MORE THAN ONE DAILY ON-OFF OPERATION:** Place additional tripper pairs on CLOCK-DIAL (order 156T1978A).
- **IN CASE OF POWER FAILURE:** Reset CLOCK-DIAL to proper time of day. See step 2 above.



**KASCO MARINE, INC.,**  
800 Deere Road  
Prescott, WI 54021-1241  
• Phone (715) 262-4488

158PS13244

LIGHTNING ARRESTOR